

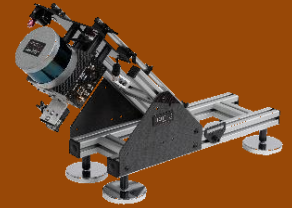
## Geo-MMS™ Family of Products

### Drone Options

- DJI 600 Pro
- xFold (Hybrid engine)
  - ✓ Heavy-lift U.S. made drone
- Other



### Vehicle Mount



### Configure your Geo-MMS Navigator

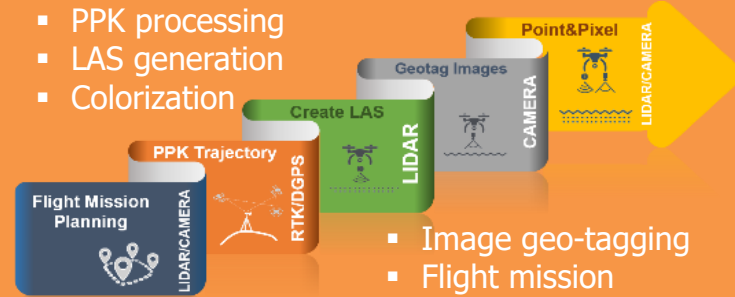
Supports:

- MEMS & Tactical-grade IMU
- Civilian GPS
- SAASM GPS (Military-grade)
- Dual-antenna GNSS
- Data recording
- RTK/PPK



### Geodetics' Software Workflow LiDAR & Photogrammetry

- PPK processing
- LAS generation
- Colorization



### LiDAR Options

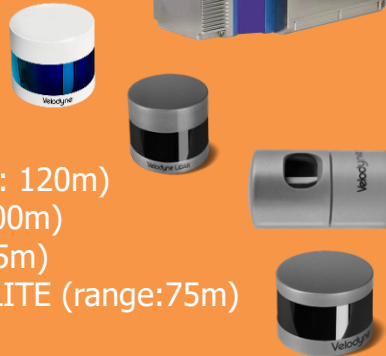
#### Optech CL-360

- Range: 775m (50 kHz) to 300m (500 kHz)
- Maximum return: 4
- Range accuracy: 1cm



#### Velodyne

- Maximum return: 2
- Range accuracy: 2-3cm
  - Puck 32MR (range: 120m)
  - VLP-32C (range: 200m)
  - HDL-32E (range: 75m)
  - Puck VLP-16 and LITE (range: 75m)



#### Quanergy M8

- Range: 150m
- Maximum return: 3
- Range accuracy: <3cm



### Camera Options

#### Ladybug



#### RGB

- Sony α6000
- Sony α6300
- Sony α7 (ii, iii)



#### Multispectral (Plug & Play)



#### Hyperspectral

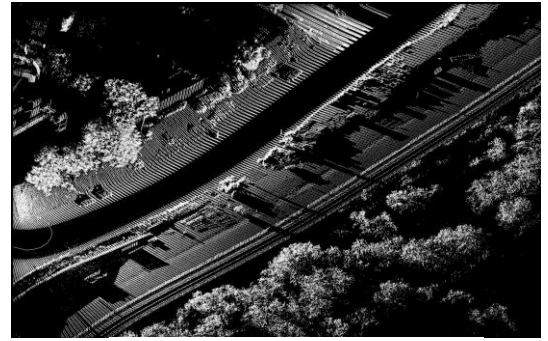
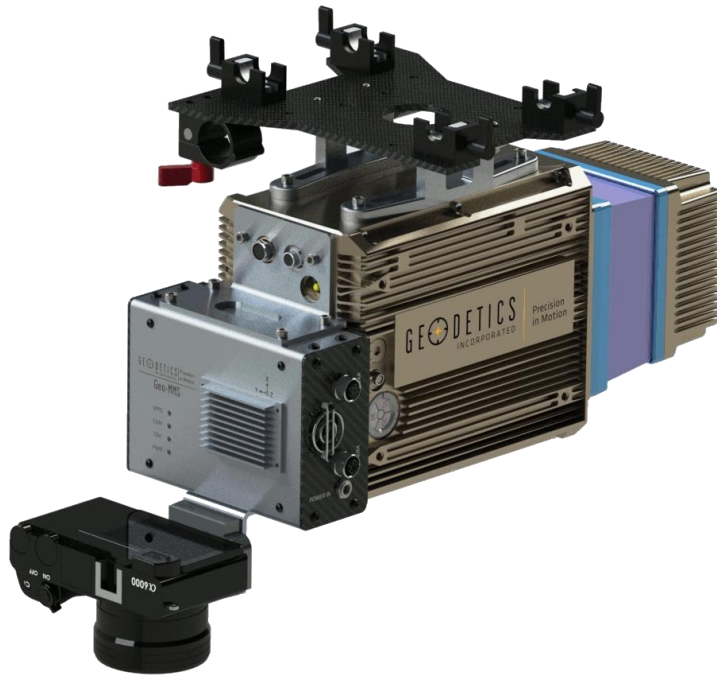


#### Thermal



# Geo-MMS™ Family of Mobile Mapping System

## Point&Pixel – Optech CL-360



Real-World Data

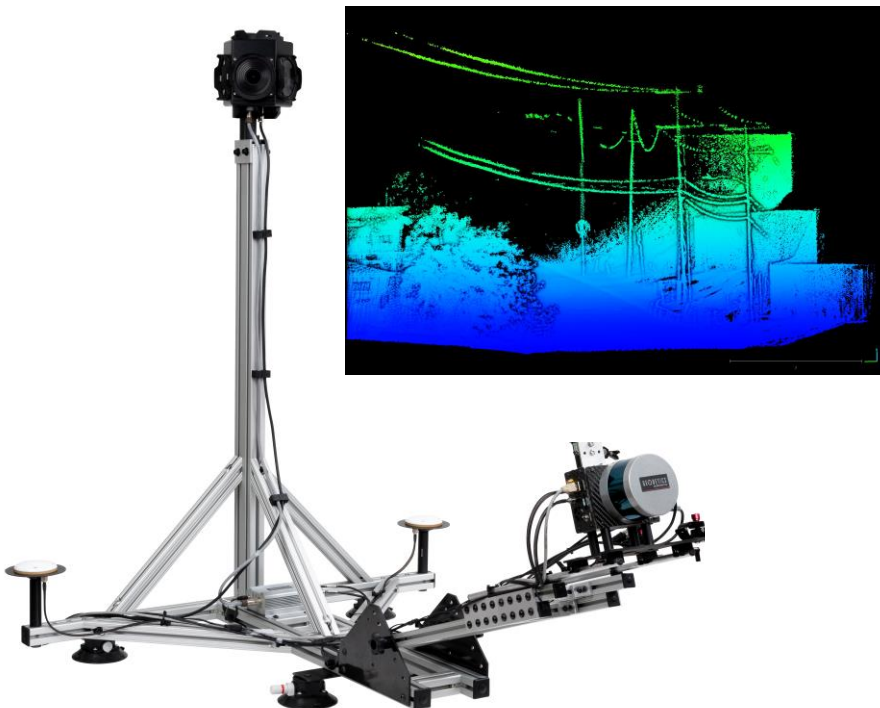


## Geo-MMS Point&Pixel™ – Ladybug Camera Configuration

Powerline mapping

Bridge inspection

Road inspection



Camera 1



Camera 2



Camera 3



Camera 4



Camera 5



Camera 6