

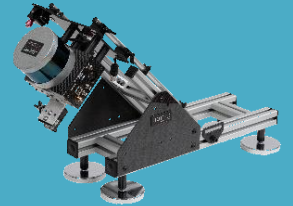
Geo-MMS™ Family of Products

Drone Options

- DJI 600 Pro
- xFold (Hybrid engine)
 - ✓ Heavy-lift U.S. made drone
- Other



Vehicle Mount



Configure your Geo-MMS Navigator

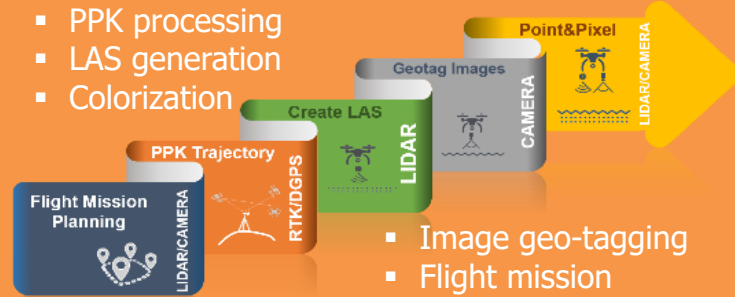
Supports:

- MEMS & Tactical-grade IMU
- Civilian GPS
- SAASM GPS (Military-grade)
- Dual-antenna GNSS
- Data recording
- RTK



Geodetics' Software Workflow LiDAR & Photogrammetry

- PPK processing
- LAS generation
- Colorization



- Image geo-tagging
- Flight mission

LiDAR Options

Teledyne Optech CL-90

- Range: 176m (500 kHz) to 633m (50 kHz)
- Maximum return: 4
- Range accuracy: 2mm



Velodyne

- Maximum return: 2
- Range accuracy: 2-3cm
 - Puck 32MR (range: 120m)
 - VLP-32C (range: 200m)
 - HDL-32E (range: 75m)
 - Puck VLP-16 and LITE (range: 75m)



Quanergy M8

- Range: 150m
- Maximum return: 3
- Range accuracy: <3cm



Camera Options

Ladybug



RGB

- Sony α6000
- Sony α6300
- Sony α7 (ii, iii)



Multispectral (Plug & Play)



Hyperspectral



Thermal



Geo-MMS™ Family of Mobile Mapping System

Geo-MMS LiDAR – Teledyne Optech CL-90



Real-World Data

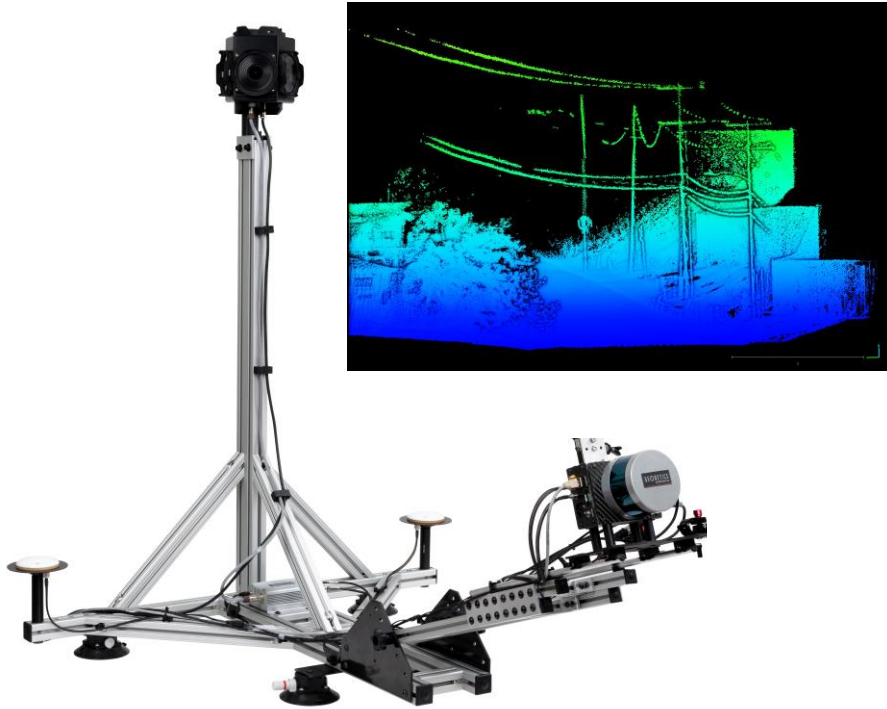


Geo-MMS Point&Pixel™ – Ladybug Camera Configuration

Powerline mapping

Bridge inspection

Road inspection



Camera 1



Camera 2



Camera 3



Camera 4



Camera 5



Camera 6